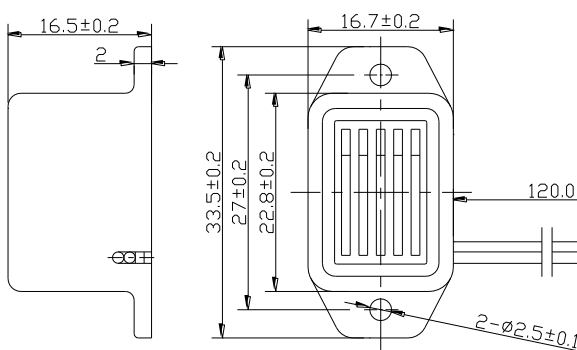


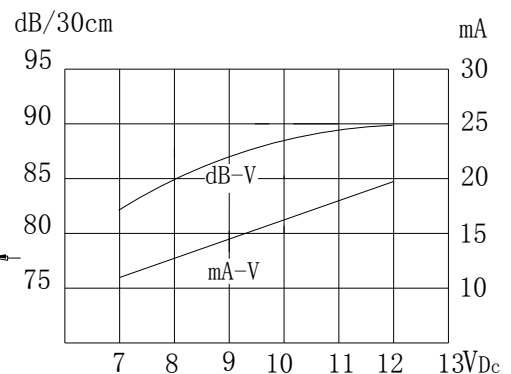
PMB33A

PARTNUMBER		PMB33A-09W
Rated Voltage	(VDC)	9
Operating Voltage	(VDC)	7-11
Max. Consumption	(mA)	25/9VDC
Min. Sound Output	(dB)	75/at 30 cm
Resonant Frequency	(Hz)	400±100
Operating Temperature	(°C)	-20 - +60
Storage Temperature	(°C)	-30 - +70
Outer Diameter	(mm)	33.5 X 16.7
Overall Height	(mm)	16.5
Response Time	(ms)	≤50
Weight	(g)	8.5
Case Material		white/ABS
Tone nature		Continuous
Wire Connection	+	Red
	-	Black

DIMENSIONS) (UNIT:mm)



CHARACTERISTIC:



피엠비일렉텍: 서울시 구로구 경인로53가길 10 대명벨리온 904호

Tel: 02-2619-0388(대) Fax: 02-2619-0346

E-mail: pmbe@pmbe.co.kr Web site: www.pmbe.co.kr