

PMB

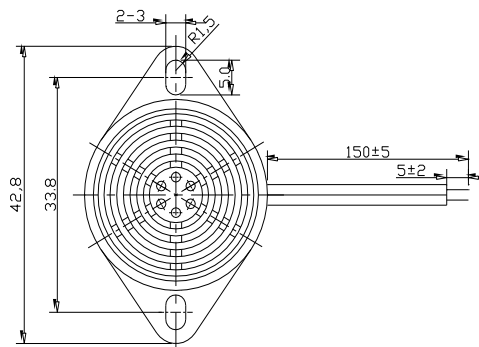
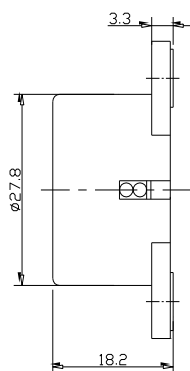
PMB ELECTECH

상표등록 <제40-0729433호>

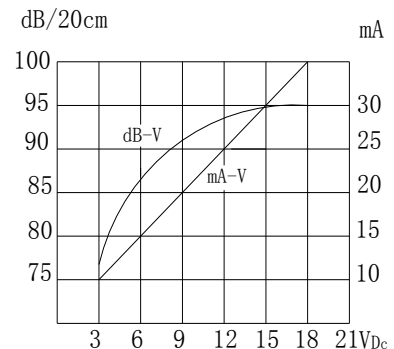
PMB2812L

PARTNUMBER		PMB2812L(12V)
Rated Voltage	(VDC)	12
Operating Voltage	(VDC)	9-15
Max. Current Consumption	(mA)	30/12VDC
Min. Sound Output	(dB)	85/at 20 cm
Resonant Frequency	(Hz)	400±100
Operating Temperature	(°C)	-20 - +60
Storage Temperature	(°C)	-25 - +70
Outer Diameter	(mm)	28
Overall Height	(mm)	18.2
Response Time	(ms)	≤50
Weight	(g)	12
Case Material		white/ABS
Tone nature		Continuous
Wire Connection	+	Red
	-	Black

DIMENSIONS)
(UNIT:mm)



CHARACTERISTIC:



피엠비일렉텍: 서울시 구로구 경인로53가길 10 대명벨리온 904호

Tel: 02-2619-0388(대) Fax: 02-2619-0346

E-mail: pmbe@pmbe.co.kr Web site: www.pmbe.co.kr